

# VERSION ONE AUTOIMPORT

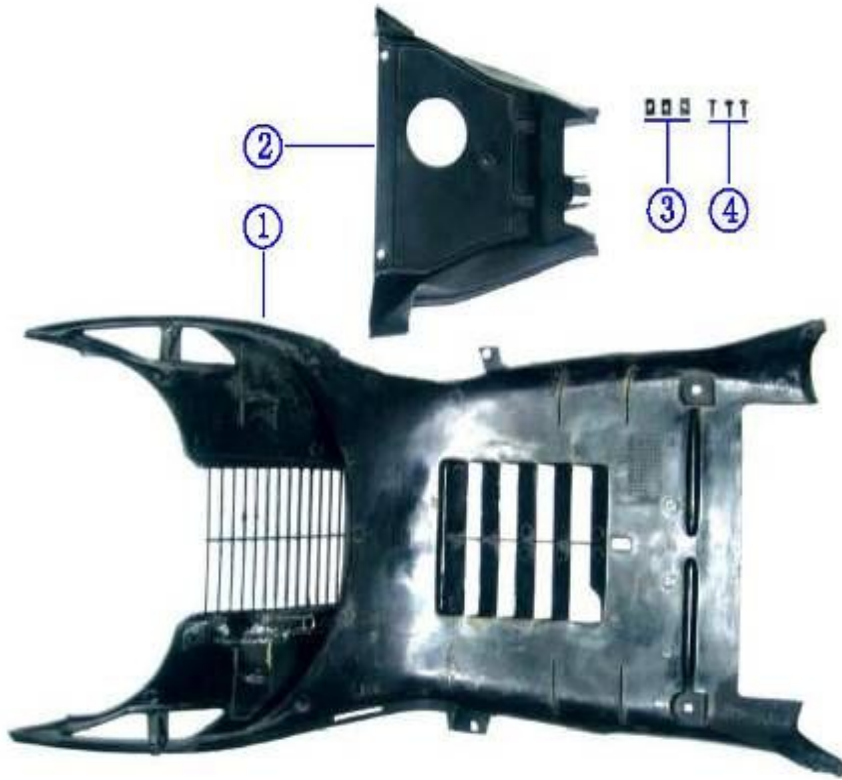
ALIEN 150CC MODEL

Center stander assy



	Code	Description	Qty	Price
1	JSD250T-7-001	Stander center	1	10.00
2	JSD250T-7-002	Spring nut	1	0.36
3	M10×25	Lock bolt	2	0.34
4	φ10	Spacer	2	1.00

Frame wheel fender, tools box



	Code	Description	Qty	Price
1	JSD250T-7-003	Frame wheel fender	1	11.00
2	JSD250T-7-004	Tool box inner cover	1	5.20
3	4.2	Spring nut	3	0.12
4	ST4.2×16	Screw	3	0.10

# Speedometer assy



	Code	Description	Qty	Price
1	JSD250T-7-010	Speedometer cover	1	8.40
2	JSD250T-7-011	Speedometer	1	36.00
3	JSD250T-7-012	Arithmometer	1	5.80
4	ST4.8×16	Screw	4	0.10
5	JSD250T-7-013	Windshield	1	13.00
6	JSD250T-7-01A	Speedometer front cover	1	5.00
7	JSD250T-7-01B	Spring nut	2	0.12
8	JSD250T-7-01C	Speedometer cable	1	0.20

# Muffler



	Code	Description	Qty	Price
1	JSD250T-7-014	Frame body	1	91.00
2	M8×110	Flange bolt	1	0.84
3	M8×45	Flange bolt	1	0.45
4	M6	Cover nut	2	0.56

Lamp, Rear tail light assy



	Code	Description	Qty	Price
1	JSD250T-7-018	Lamp	1	40.30
2	JSD250T-7-019	Rear tail light assy	1	35.00
3	ST4.8×16	Screw	13	0.67
4	M6	Spherical bolt	1	0.25
5	ST4.2	Spring nut	1	0.16

Luggage box assy



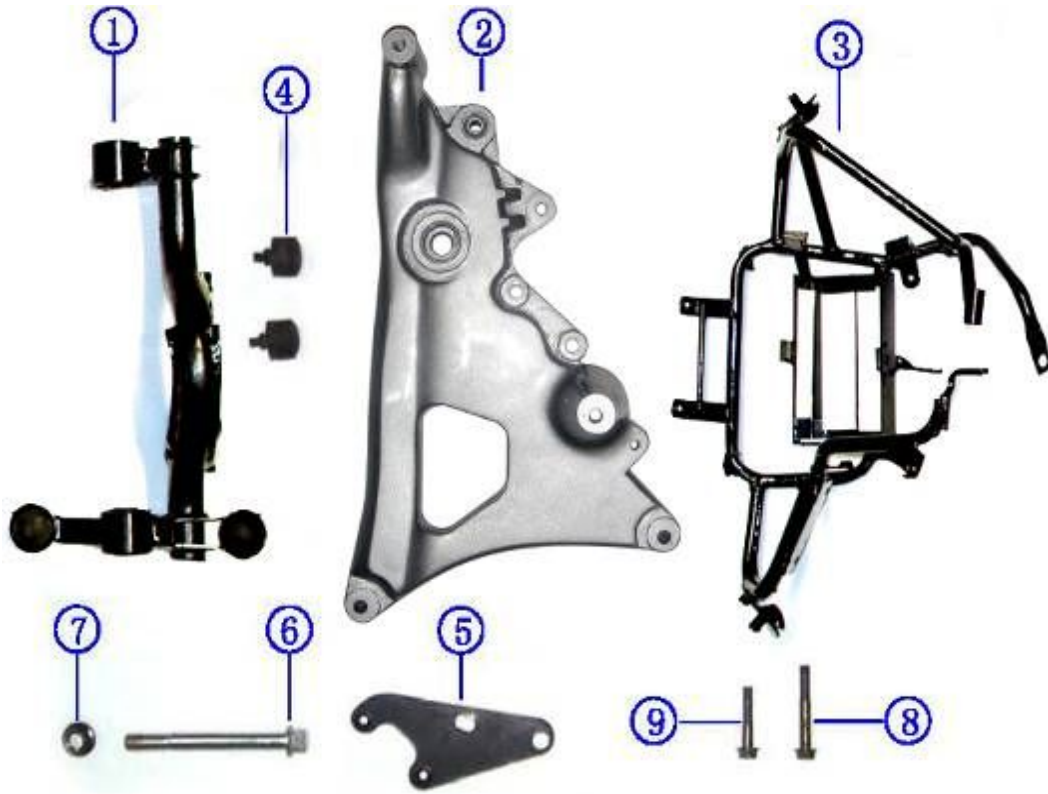
	Code	Description	Qty	Price
1	JSD250T-7-020	Luggage box	1	13.00
2	JSD250T-7-021	Luggage box frame	1	6.50
3	JSD250T-7-022	Flange bolt	10	0.12
4	ST4.2	Spring nut	10	0.10

Rearview, L/R



	Code	Description	Qty	Price
1	JSD250T-7-023	Left rearview	1	15
2	JSD250T-7-024	Right rearview	1	

Battery stander, anger comp frame, carrier set



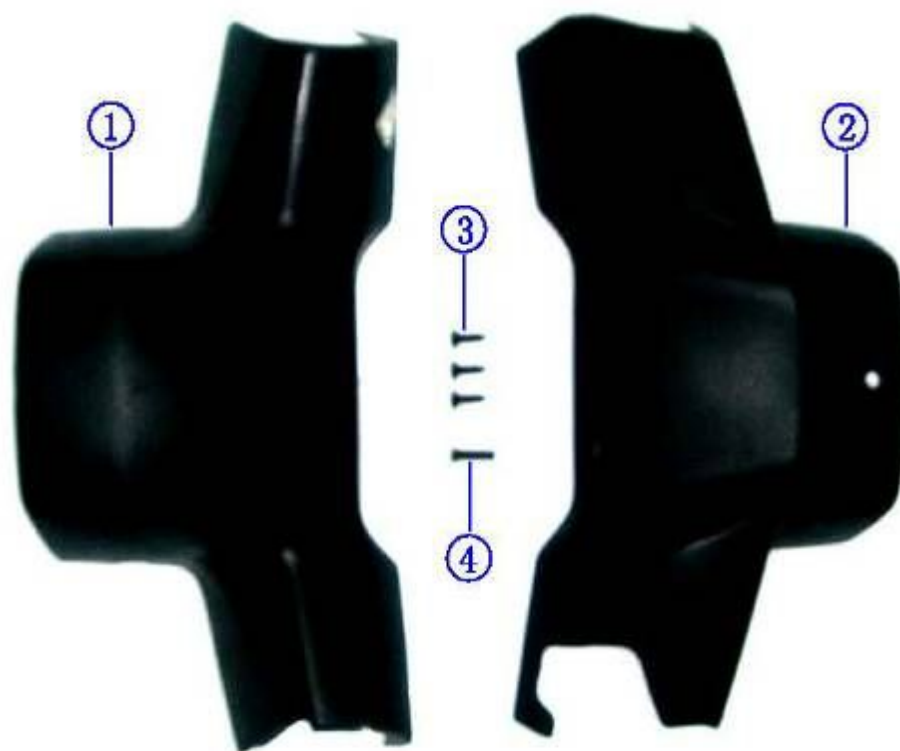
	Code	Description	Qty	Price
1	JSD250T-7-025	Hanger	1	18.00
2	JSD250T-7-026	Carrier set	1	47.00
3	JSD250T-7-027	Horn stander	1	12.00
4	JSD250T-7-028	Hanger rubber	2	0.60
5	JSD250T-7-029	Rearwheel fender stander	1	0.70
6	M10	Bolt	1	0.90
7	M10	Nut	1	0.20
8	M8×50	Bolt	1	0.40
9	M8×40	Bolt	1	0.36

Front brake assy, brake block



	Code	Description	Qty	Price
2	JSD250T-7-037	Disk brake assy	1	51.00
3	JSD250T-7-038	Rear brake block	1	5.00
4	JSD250T-7-039	Spring	2	0.30
5	JSD250T-7-040	Rear brake rocker	1	2.10

# HOOD



	Code	Description	Qty	Price
1	JSD250T-7-043	Handlebar front cover	1	8.00
2	JSD250T-7-044	Handlebar rear cover	1	8.00
3	ST4.8×16	Screw	3	0.30
4	M5×25	Crossing bolt	1	0.50

## Rear wheel subassembly



	Code	Description	Qty	Price
1	JSD250T-7-045	Tyre	1	45.00
2	JSD250T-7-046	Rear aluminous wheel	1	60.00
3	JSD250T-7-047	Rear brake rocker axis	1	1.90
4	JSD250T-7-048	Rear brake rocker axis	1	1.90
5	JSD250T-7-049	Rear brake block	1付	5.00
6	JSD250T-7-050	Brake block spring	2	0.20
7	m6×35	Flange bolt	1	0.30

Rear fender



	Code	Description	Qty	Price
1	JSD250T-7-051	Rear turning light,L	1	3.90
2	JSD250T-7-052	Rear fender	1	8.00
3	JSD250T-7-053	Rear turning light,Right	1	4.00
4	JSD250T-7-05C	Trademark light	1	3.50
5	φ6	Washer	1	0.30
6	M8	Nut	1	0.30
7	M6	Nut	2	0.30
8				
9				
10				
11				

Pedal mat



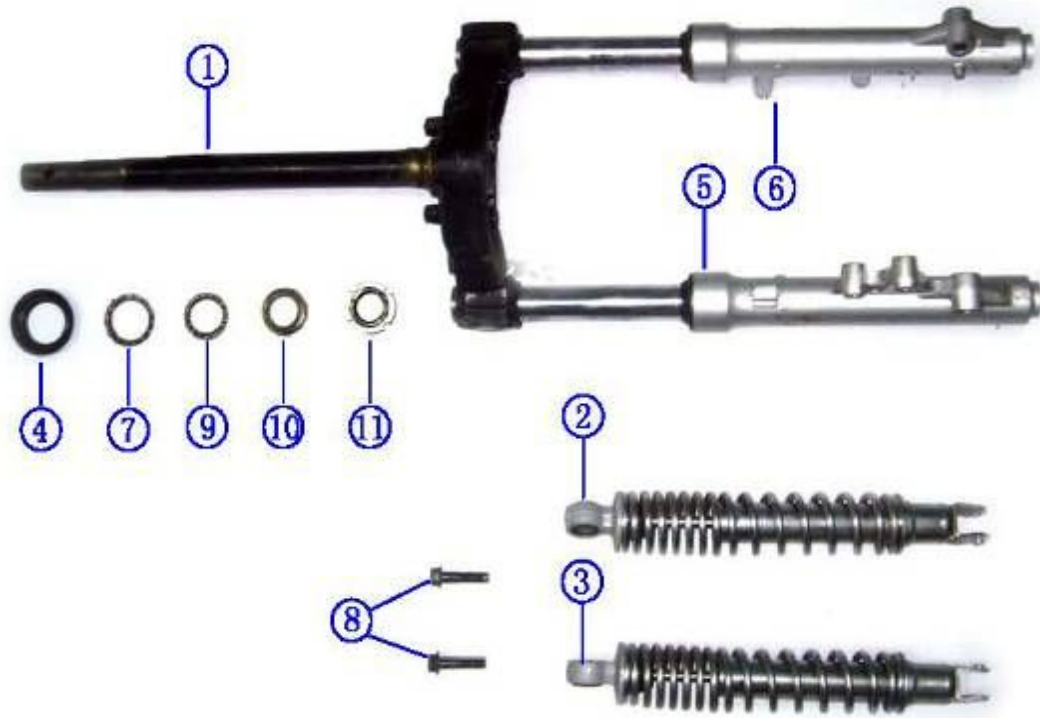
	Code	Description	Qty	Price
1	JSD250T-7-054	Pedal mat, L	1	14.00
2	JSD250T-7-05A	Pedal mat, Right	1	
3	JSD250T-7-05B	Front cover, luggage	1	6.00

Pedal board, tool box



	Code	Description	Qty	Price
1	JSD250T-7-055	Pedal board	1	13.00
2	JSD250T-7-056	Tool box	1	12.00
3	M6×17	Washer bolt	8	0.40
4	ST4.8×16	Screw	3	0.30
5	ST4.8	Spring nut	11	0.30
6	JSD250T-7-06F	Key	1	3.00
7	JSD250T-7-06G	Fuel tank big cover	1	3.80

Fork sten, Front/Rear absorber



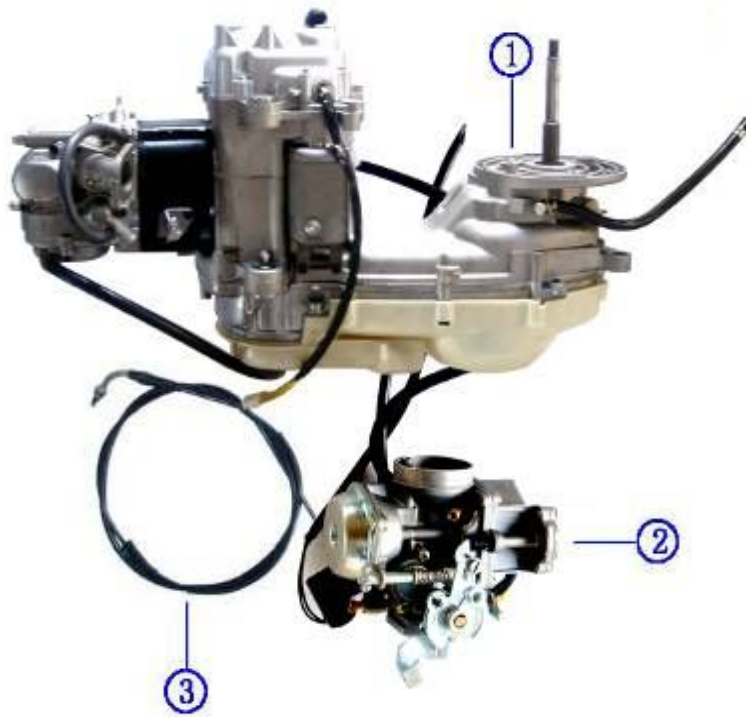
	Code	Description	Qty	Price
1	JSD250T-7-057	Fork sten	1	18.00
2	JSD250T-7-058	Left rear absorber	1	30.00
3	JSD250T-7-059	Right rear absorber	1	
8	JSD250T-7-06B	Flange bolt	2	0.80
5	JSD250T-7-061	Left front absorber	1	29.00
6	JSD250T-7-062	Right front absorber	1	29.00
7	JSD250T-7-06A	Underside steer ball frame	1	5.00
4	JSD250T-7-060	Protective cover	1	
9	JSD250T-7-06C	Upside steer ball frame	1	
10	JSD250T-7-06D	Upside steering race	1	
11	JSD250T-7-06E	Underside steering race	1	

Air filter assy



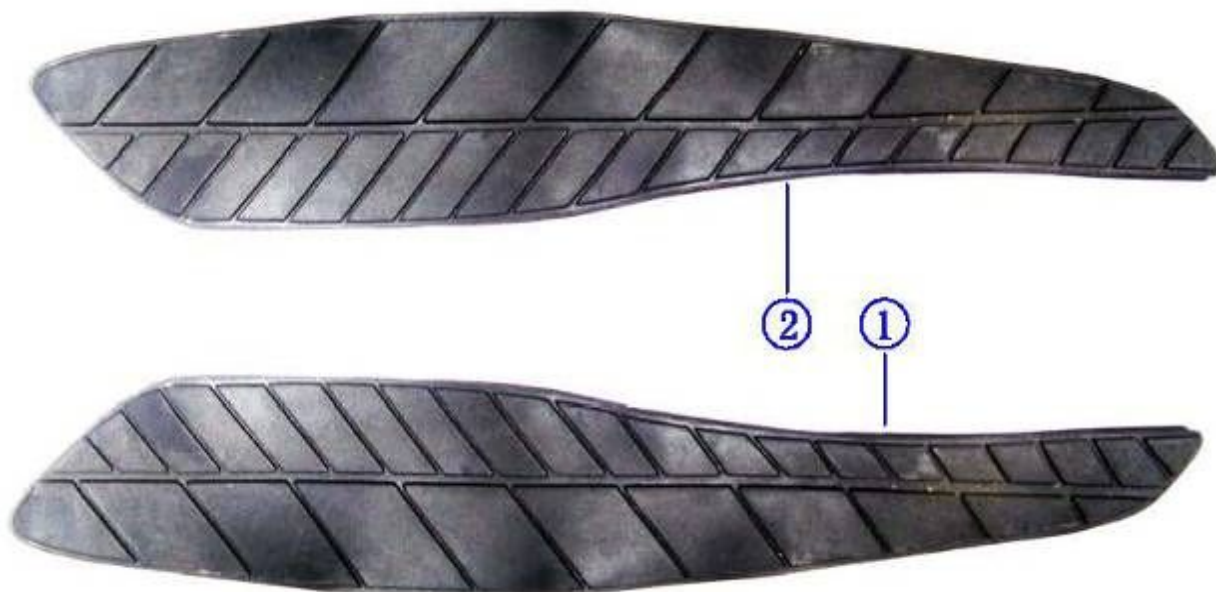
	Code	Description	Qty	Price
1	JSD250T-7-063	Air filter	1	33.00

# Engine assy



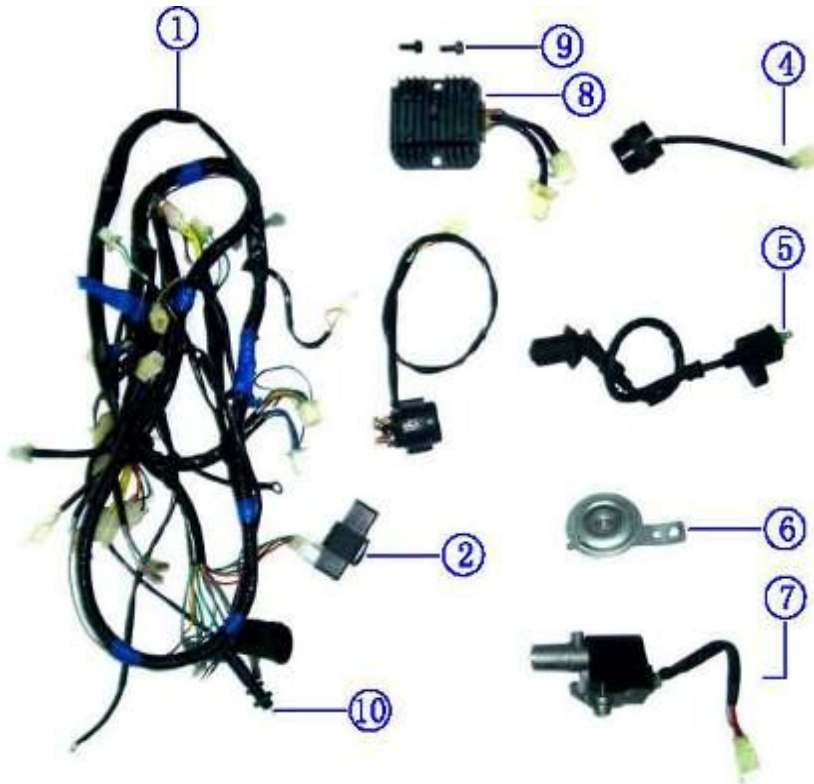
	Code	Description	Qty	Price
1	JSD150T-7-065	Engine assy	1	630.00
2	JSD150T-7-07A	Carburetion	1	40.00
3	JSD150T-7-07B	Throttle grip cable	1	2.00

Pedal rubber, L/R



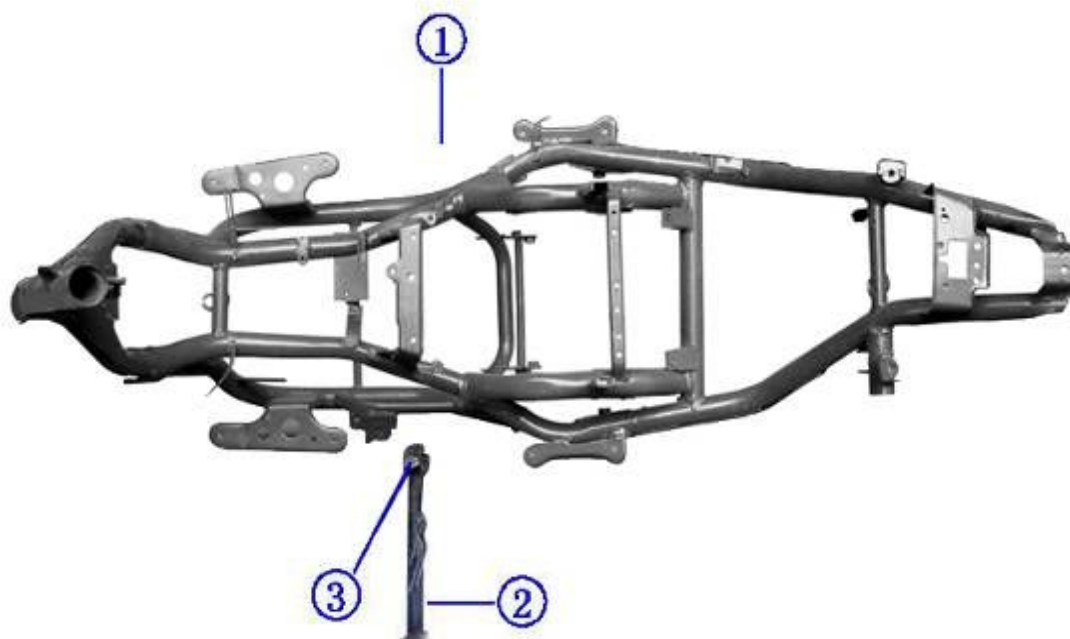
	Code	Description	Qty	Price
1	JSD250T-7-066	Left pedal rubber	1	8.00
2	JSD250T-7-067	Right pdeal rubber	1	

Wire assy



	Code	Description	Qty	Price
1	JSD250T-7-068	Main cable	1	25.00
2	JSD250T-7-069	Unit	1	10.00
3	JSD250T-7-070	Starter replay	1	6.50
4	JSD250T-7-071	Flash	1	4.50
5	JSD250T-7-072	High-pressure bag	1	10.00
6	JSD250T-7-073	Horn comp	1	5.00
7	JSD250T-7-074	Ignitor switch	1	21.00
8	JSD250T-7-075	Stability pressure equipments	1	13.00
9	M6×17	Bolt	9	0.30
10	JSD250T-7-076	Rear brake witch	1	1.20

# Frame body



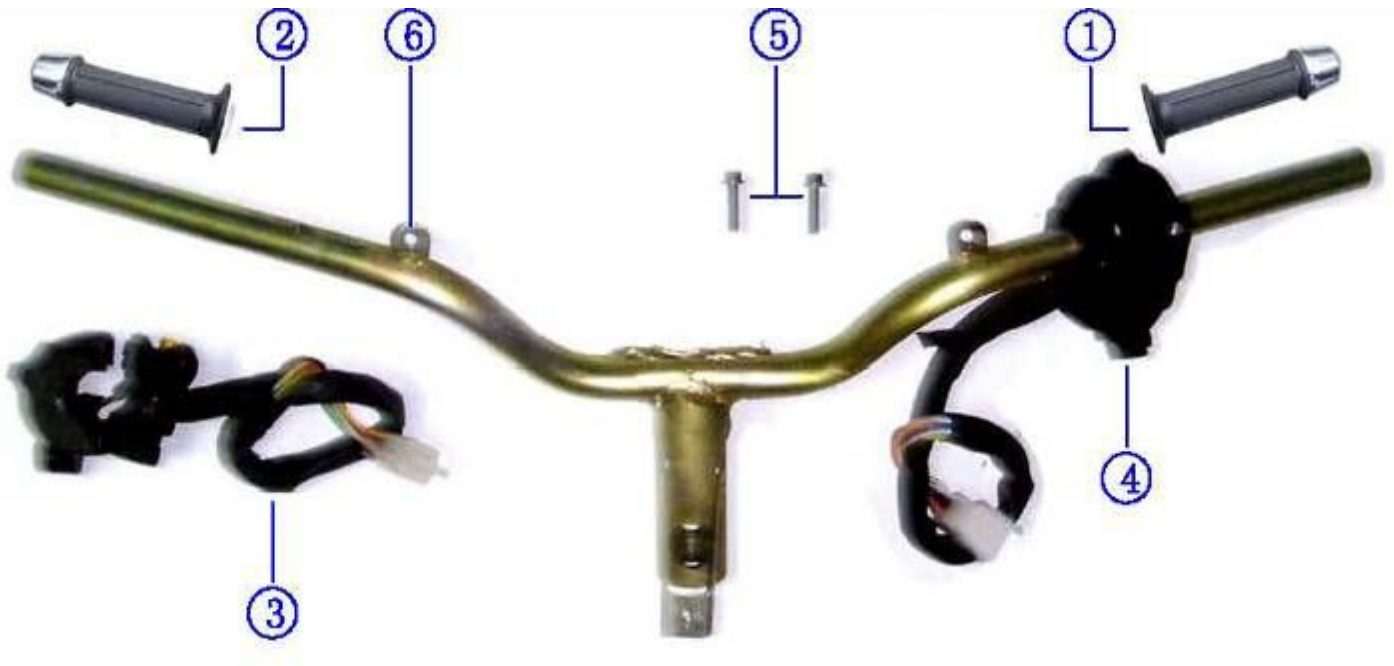
	Code	Description	Qty	Price
1	JSD250T-7-077	Frame body	1	110.00
2	JSD250T-7-07G	Stander, side	1	3.00
3	M10	Axletree bolt	1	1.20

Fuel tank assy



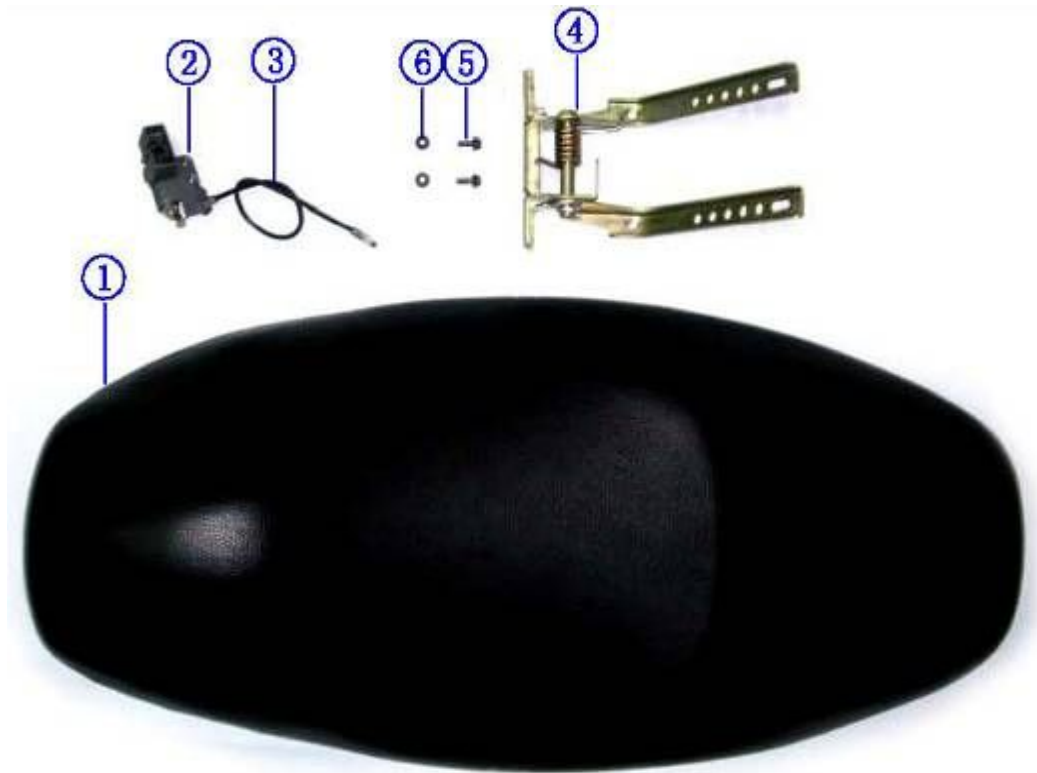
	Code	Description	Qty	Price
1	JSD250T-7-078	Fuel tank	1	19.00
2	JSD250T-7-079	Filter	1	1.20
3	JSD250T-7-08A	Fuel tank cover	1	2.50
4	JSD250T-7-08B	Fuel sensor	1	3.00
5	JSD250T-7-08C	Piston ring	1	0.60
6	JSD250T-7-08D	Spring	8	0.60
7	JSD250T-7-08E	Fuel lock	1	8.00
8	JSD250T-7-08F	Tube	5	2.10
9	JSD250T-7-08H	Pressure board	1	0.90

Handlebar、 Switch, L/R



	Code	Description	Qty	Price
1	JSD250T-7-080	Handlebar cover, L	1	1.20
2	JSD250T-7-081	Handlebar cover, Right	1	1.20
3	JSD250T-7-082	Combine switch, Right	1	11.00
4	JSD250T-7-083	Combine switch, L	1	11.00
5	M6×25	Flange bolt	2	0.70
6	JSD250T-7-084	Handlebar	1	13.00

# Seat



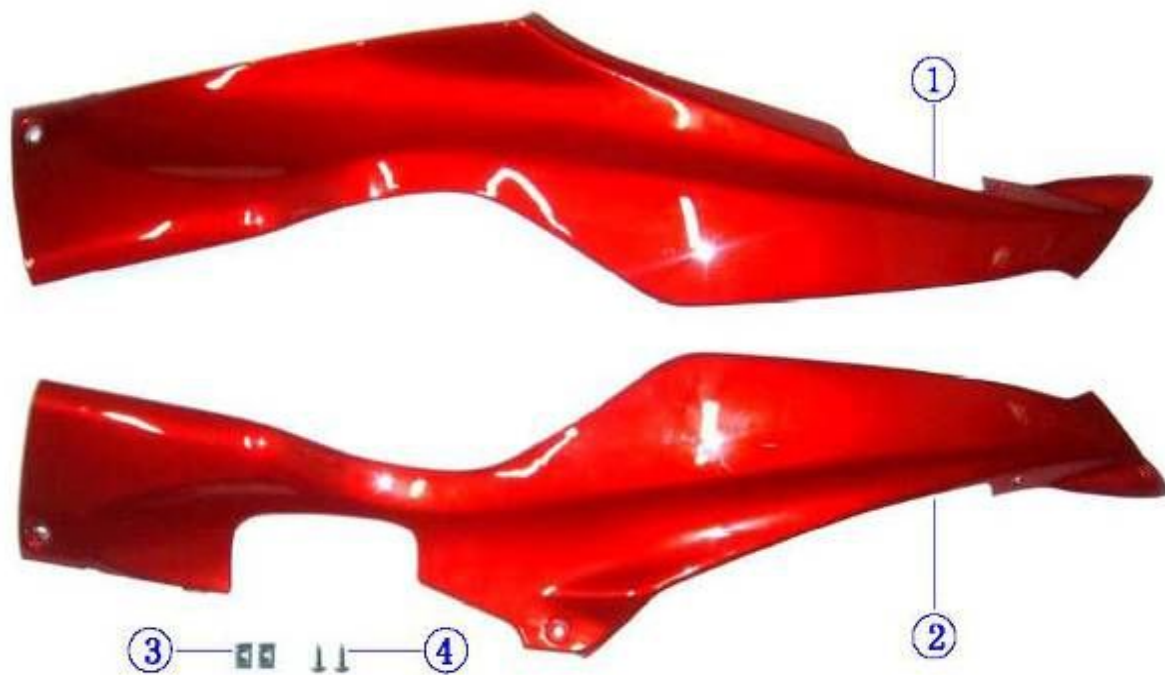
	Code	Description	Qty	Price
1	JSD250T-7-085	Seat	1	39.00
3	JSD250T-7-08I	Seat lock cable	1	0.90
4	JSD250T-7-08J	Seat stander	1	10.00
5	M6×16	Flange bolt	2	0.70
6	M6	Nut	2	0.40

Front fender assy



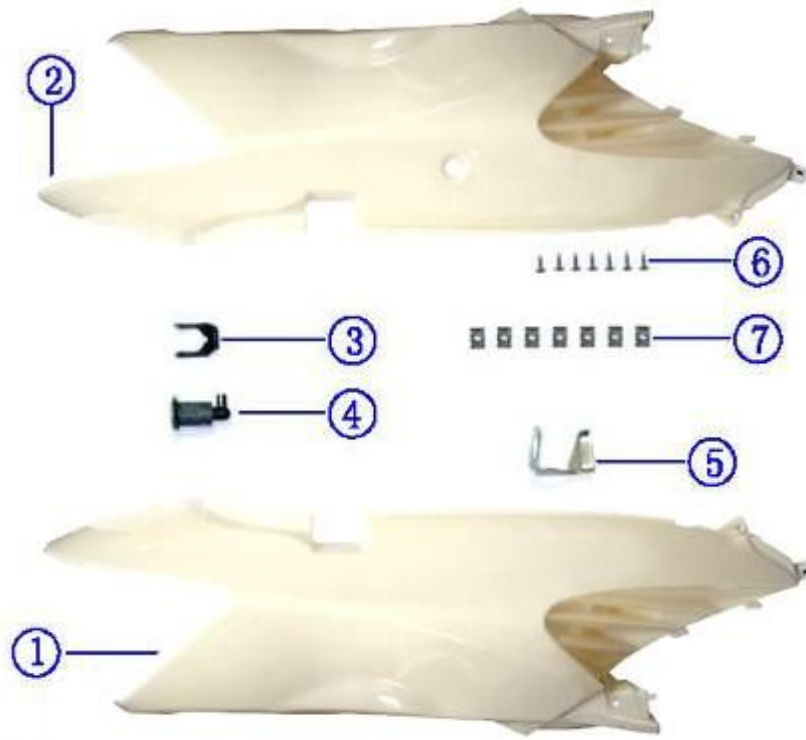
	Code	Description	Qty	Price
1	JSD250T-7-087	Right Front fender	1	29.00
2	JSD250T-7-088	Right turning light	1	5.00
3	JSD250T-7-08K	Left Front fender	1	28.00
4	ST4.2×12	Screw	3	0.40
5	ST4.8×12	Screw	2	0.40
6	JSD250T-7-08L	Left turning light	1	5.00
7	ST4.2	Spring nut	6	0.60

Side fender, L/R



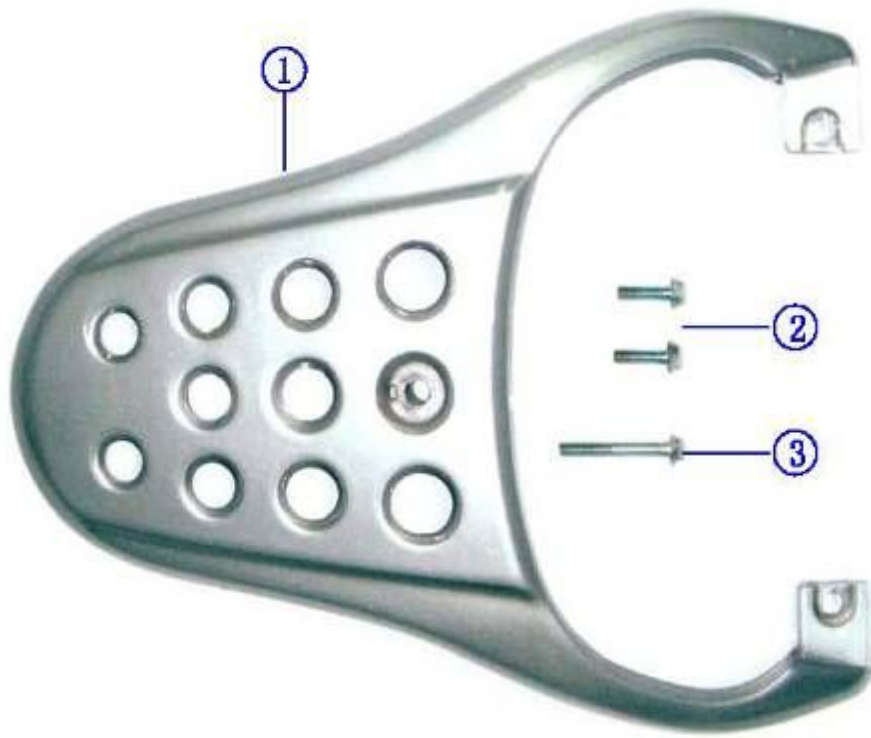
	Code	Description	Qty	Price
1	JSD250T-7-089	Right fender	1	19.00
2	JSD250T-7-090	Left fender	1	19.00
3	ST4.2	Spring nut	2	0.40
4	ST4.8×16	Screw	2	0.40

Lacquer, L/R



	Code	Description	Qty	Price
1	JSD250T-7-091	Left lacquer	1	28.00
2	JSD250T-7-092	Right lacquer	1	28.00
6	ST4.8×12	Screw	7	0.20
7	JSD250T-7-09A	Spring nut	7	0.20

Luggage carrier assy



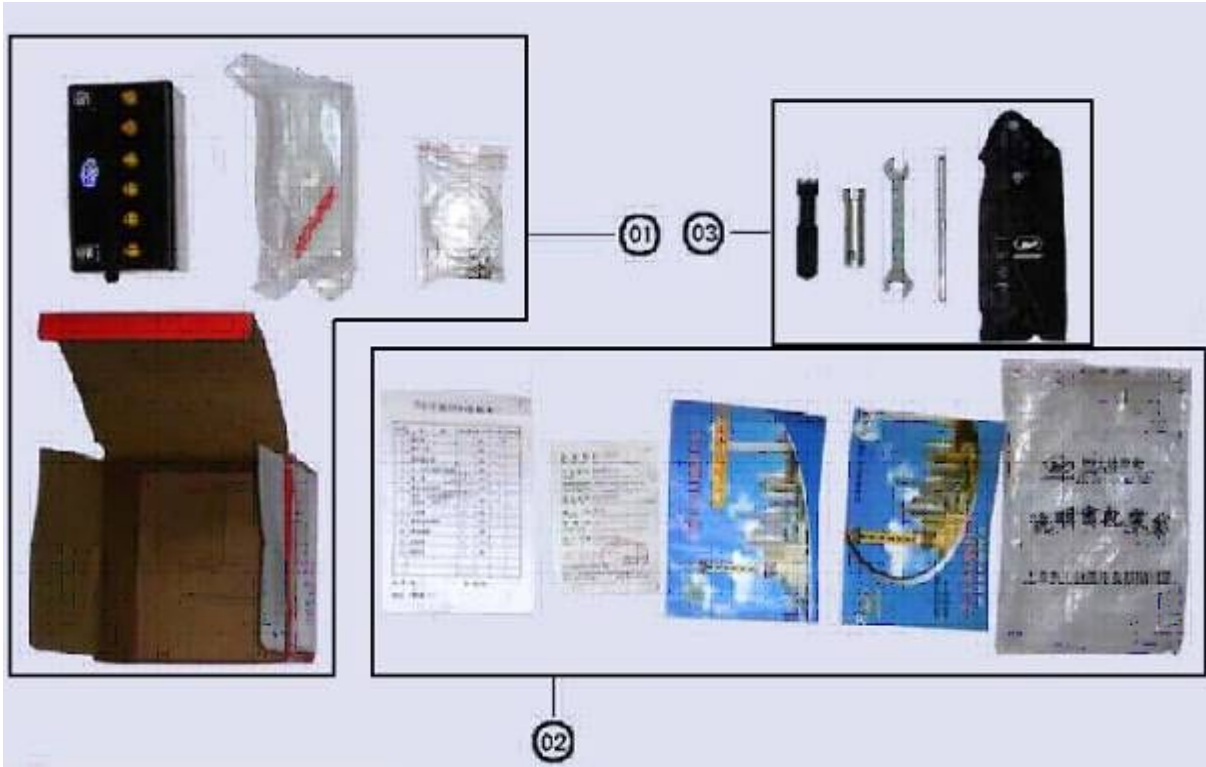
	Code	Description	Qty	Price
1	JSD250T-7-096	Luggage carrier	1	28.00
2	M8×40	Flange bolt	2	0.90
3	M8×65	Flange bolt	1	0.90

Front fender assy



	Code	Description	Qty	Price
1	JSD250T-7-097	Front part ,front wheel fender	1	10.00
2	JSD250T-7-12A	Rear wheel fender	1	4.00
3	JSD250T-7-12B	Fork sten fender	1	6.00
4	M6×12	Flange bolt	10	0.60
5	M6×16	Flange bolt	4	0.60
6	φ6	Washer	4	0.30
7	JSD250T-7-098	Rear part, front wheel fender	1	6.50

Packaging accessory



	Code	Description	Qty	Price
1	JSD250T-7-99	Storage battery	1	46.00
2	JSD250T-7-105	Exponent bag	1	
3	JSD250T-7-104	Tools bag	1	3.00

Front wheel subassembly



	Code	Description	Qty	Price
1	JSD250T-7-110	Tyre	1	45.00
2	JSD250T-7-111	Steel wheel	1	60.00
3	JSD250T-7-112	Arithmometer	1	8.00
4	JSD250T-7-113	Driver plate	1	0.90
5	m8×25	Inner hex-bolt	3	0.90
6	JSD250T-7-114	Break plate	1	15.00

Makeup gas equipment, side glisten



	Code	Description	Qty	Price
1	JSD250T-7-00A	Makeup gas equipment	1	11.00
2	JSD250T-7-00B	Pipe vaccum	1	2.00/M
3	JSD250T-7-00C	Air tube	2	4/M
4	JSD250T-7-00D	Vent valve	1	2.30
5	JSD250T-7-00E	High-temperature tube	1	16/M
6	JSD250T-7-00F	Spring nut	6	1.20