

VERSION ONE AUTOIMPORT

PHOENIX

PARTS CATALOGUE

2. FRONT BODY COVER



No	Part No	Name	Qty
1	JL150T-30-08.00-01	Front body cover	1
2	JL150T-30-08.00-02	Front decorative plate	1
3	JL150T-30-08.00-03	Front panel	1
4	JL150T-30-08.00-48	Front left decorative plate	1
5	JL150T-30-08.00-49	Front right decorative plate	1
6	GB/T845 4.8×13	Self-tapping screw	3
7	GB/T845 4.2×13	Self-tapping screw	2
8	JL150T-30-08.00-50	Clip	6

3. WIND SHIELD



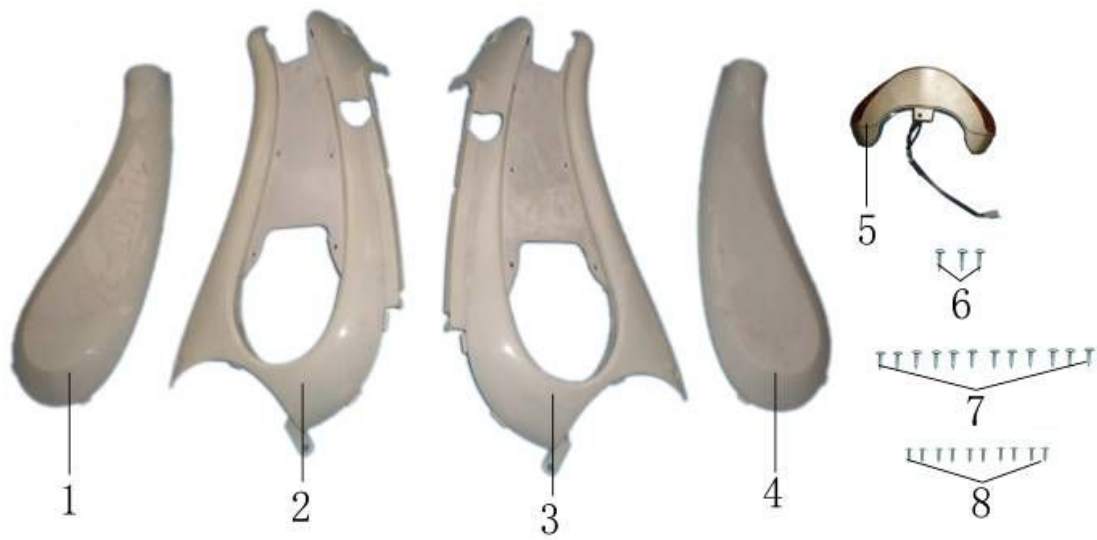
No	Part No	Name	Qty
1	JL150T-30-08.00-29	Wind shield	1
2	JL150T-30-08.00-30	Head light cover	1
3	JL150T-30-09.50-00	Left decorative light	1
4	JL150T-30-09.51-00	Right decorative light	1
5	JL150T-30-09.41-00	Head light	1
6	JL150T-30-09.48-01	Front left turning light	1
7	JL150T-30-09.48-02	Front right turning light	1
8	ST4.2	Clip	2
9	GB/T5789 M6×16	Hexagon flange bolt	2
10	GB/T9177 M6	Hexagon flange nut	2
11	GB/T845 4.2×13	Self-tapping screw	4
12	GB/T845 4.2×16	Self-tapping screw	2

8. FLOOR PEDAL



No	代 号 (Part No.)	NAME	QTY
1	JL150T-30-08.00-16	Right floor pedal	1
2	JL150T-30-08.00-17	Left floor pedal	1
3	JL150T-30-08.00-18	Left floor decoration panel	1
4	JL150T-30-08.00-19	Right floor decoration panel	1
5	JL150T-30-08.00-14	Battery case	1
6	JL150T-30-08.00-15	Battery lid	1
7	ST4.2	Clip	2
8	GB/T5789 M6×16	Hexagon flange bolt	8
9	GB/T818 M6×16	Crossed pan-head bolt	2
10	GB/T819 M15×13	Crossed socket bolt	2
11	GB/T845 M4.3×13	Self-tapping screw	6
12	GB/T845 M4.8×16	Self-tapping screw	2

9. BODY SIDES, TAIL LIGHT



No	PART No	NAME	QTY
1	JL150T-30-08.00-22	Left side decorative plate	1
2	JL150T-30-08.00-20	Left body side	1
3	JL150T-30-08.00-21	Right body side	1
4	JL150T-30-08.00-23	Right side decorative plate	1
5	JL150T-30-09.38-00	Tail light	1
6	GB/T845 4.8×16	Self-tapping screw	3
7	GB/T845 4.8×13	Self-tapping screw	12
8	GB/T845 4.3×13	Self-tapping screw	10

11. REAR STORAGE COMPARTMENT & COVER



No	PART No	NAME	QTY
1	JL150T-30-08.07-01	Rear storage compartment	1
2	JL150T-30-08.07-03	Front cover, rear storage compartment	1
3	JL150T-30-08.07-04	Front cover lid , rear storage compartment	1
4	JL150T-30-08.07-02	Inner cover, rear storage compartment	1
5	JL150T-30-08.00-39	Helmet hook	1
6	GB/T5789 M6×16	Hexagon flange bolt	4
7	GB/T845 4.3×16	Self-tapping screw	2
8	GB/T845 4.8×16	Self-tapping screw	3
9	GB/T845 4.3×12	Self-tapping screw	6

13. DOUBLE STAND, SIDE STAND



No	PART No	NAME	QTY
1	JL150T-30-01.07-00	Double stand	1
2	JL150T-30-01.06.01-00	Side stand	1
3	JL150T-30-01.07-02	Double stand spring	1
4	JL150T-30-01.07-01	Double stand washer	2
5	JL150T-30-01.07-04	Installation bolt, damper	1
6	JL150T-30-01.07-03	Damper, double stand	1
7	JL150T-30-01.07-05	Hook, double stand	1
8	JL150T-30-01.06-02	Spring, single stand	1
9	JL150T-30-01.06-03	Bolt, single stand	1
10	GB/T5789 M10×30	Hexagon flange bolt	2

14. FRAME, ENGINE HANGER



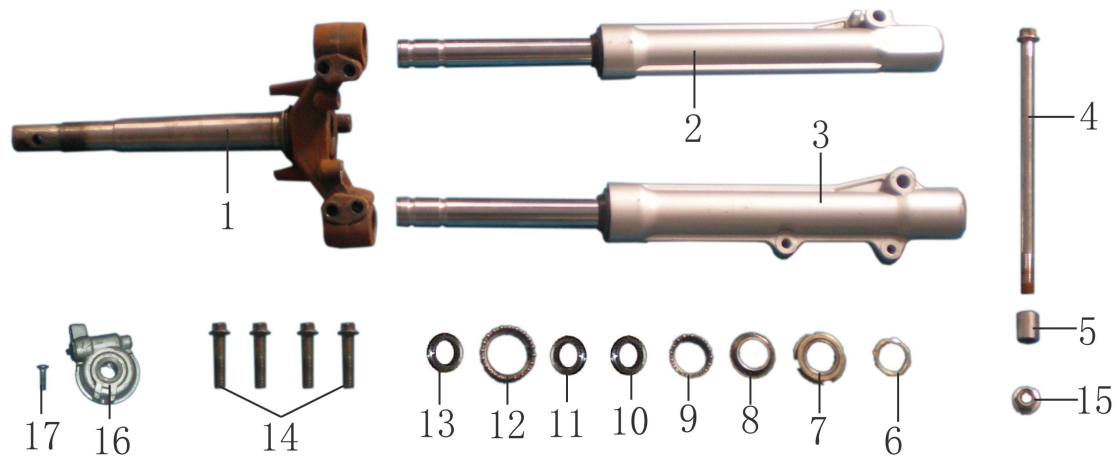
No	PART No	NAME	QTY
1	JL150T-30-01.01-00	Frame	1
2	JL150T-30-01.16-00	Left pedal bracket	1
3	JL150T-30-01.15-00	Right pedal bracekt	1
4	JL150T-30-01.03.02-00	Engine hanger	1
5	JL150T-30-01.03-01	Axle M10×108, engine hanger	1
6	JL150T-30-01.03-02	Damper, engine hanger	2
7	GB/T818 M6×12	Pan-head bolt	4
8	GB/T5789 M10×55	Hexagon flange bolt	2
9	GB/T6177 M10	Hexagon flange nut	2

16. REAR WHEEL PATCH BOARD, REAR SHOCK ABSORBER



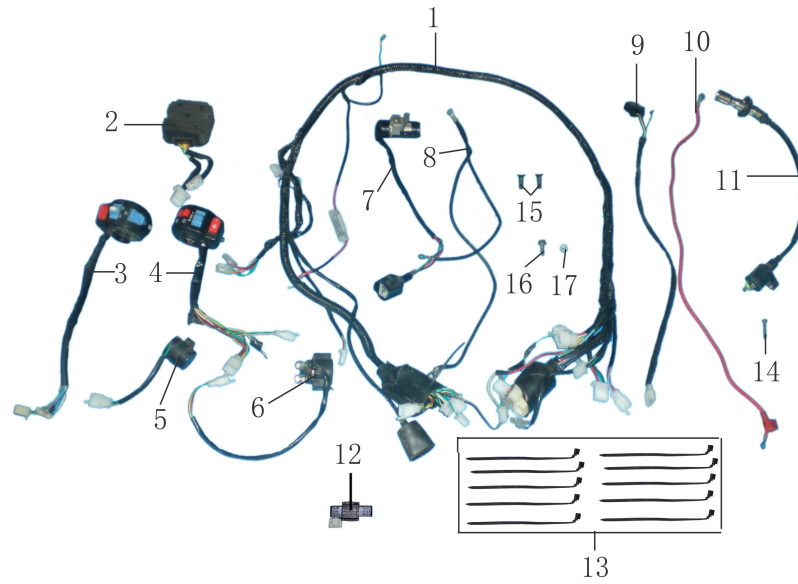
No	PART No	NAME	QTY
1	JL150T-30-14.05-00	Patch board, rear wheel	1
2	JL150T-30-03.17-00	Rear shock absorber	2
3	GB/T93 M8	Washer	2
4	JL150T-30-14.00-12	Inner bush, patch board	1
5	JL150T-30-14.00-11	Outer bush, patch board	1
6	GB/T5789 M10×25	Hexagon flange bolt	2
7	GB/T5789 M10×40	Hexagon flange bolt	2
8	GB/T5780 M8×32	Hexagon flange bolt	2
9	GB/T5789 M8×45	Hexagon flange bolt	2
10	GB/T6187 M21	Hexagon flange nut	1

十九. 下联板、前左右减震器



No	PART No	NAME	QTY
1	JL150T-30-03.16-00	Steering column	1
2	JL150T-30-03.13-00	Front left absorber	1
3	JL150T-30-03.14-00	Front right absorber	1
4	JL150T-30-02.00-09	Front wheel axle	1
5	JL150T-30-02.00-10	Front wheel bush	1
6	JL150T-30-03.01-20	Front fork fixing nut	1
7	JL150T-30-03.15-01	Anti-dush shroud	1
8	JL150T-30-03.01-16	Upper protruding steel bowl	1
9	JL150T-30-03.11-00	Smaller retainer	1
10	JL150T-30-03.01-19	Under protruding steel bowl	1
11	JL150T-30-01.01-17	Under concave steel bowl	1
12	JL150T-30-03.10-00	Larger retainer	1
13	JL150T-30-01.01-18	Upper concave steel bowl	1

20. ELECTRICAL WARE



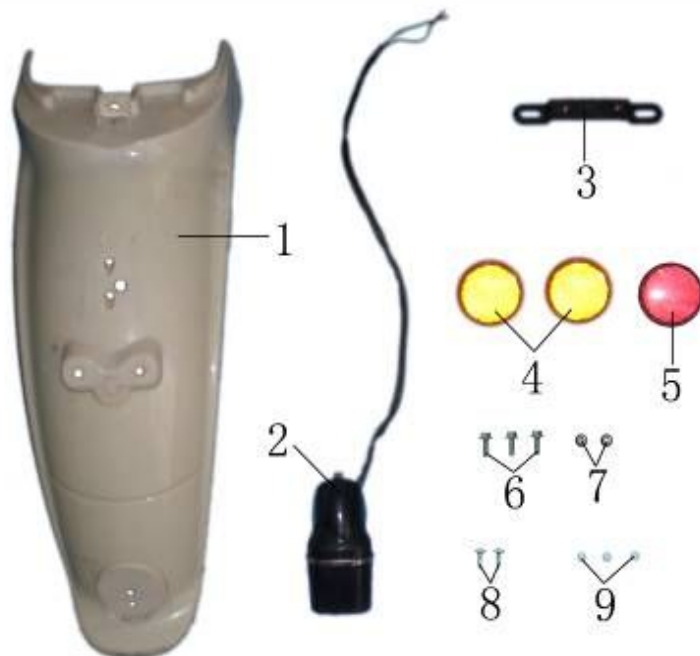
No	PART No	NAME	QTY
1	JL150T-30-09.12-00	Main cable	1
2	JL150T-30-09.07-00	Voltage regulator	1
3	JL150T-30-09.31-00	Left combination switches	1
4	JL150T-30-09.32-00	Right combination switches	1
5	JL150T-30-09.08-00	Flasher	1
6	JL150T-30-09.06-00	Starting relay	1
7	JL150T-30-09.14.01	Main switch	1
8	JL150T-30-09.30-00	Ground wire	1
9	JL150T-30-09.33-00	Engine stop switch	1
10	JL150T-30-09.40-00	Relay wire	1
11	JL150T-30-09.46-00	High-pressure coil	1
12	JL150T-30-09.03-00	CDI	1
13	JL125T-9-09-03	Binding band 250MM	10

21. AIR FILTER



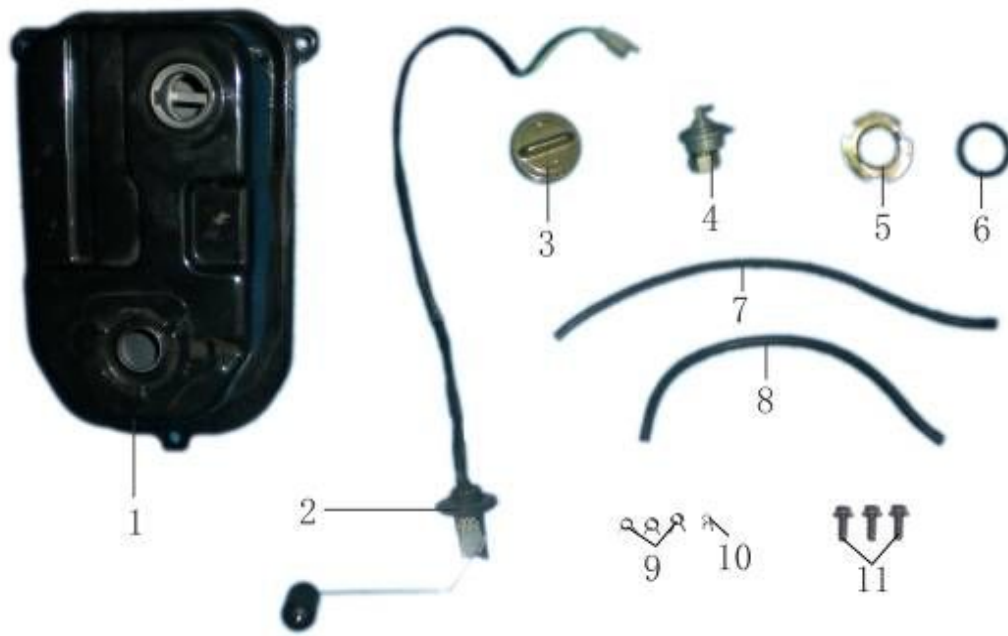
No	PART No	NAME	QTY
1	JL150T-30-12.02	Air filter	1
2	JL150T-30-12.03	Air filter tube	1
3	JL150T-30-12.04	Medium clamper	1
4	JL150T-30-12.05	Large clamper	1
5	JL150T-30-12.06	Small calmpers	1
6	JL150T-30-12.07	Stopper	1
7	JL150T-30-12.08	Air filter bracket I	1
8	JL150T-30-12.09	Air filter bracket II	1
9	GB/T5787 M6×25	Hexagon flange bolt	2
10	GB/T5787 M6×12	Hexagon flange bolt	1

22. REAR FENDER



No	PART No	NAME	QTY
1	JL150T-30-08.08-01	Rear fender	1
2	JL150T-30-09.39-00	Rear license light	1
3	JL150T-30-01.02-00	Bracket, rear license	1
4	JL50QT-41-08.00-13-00	Side reflector	2
5	JL150T-30-08.00-14-00	Rear reflector	1
6	GB/T5787 M6×16	Hexagon flange bolt	3
7	GB/T6177 M6	Hexagon flange nut	2
8	GB/T845 4.3×16	Self-tapping screw	2
9	GB/T6170 M5	Hexagon nut	3

24. FUEL TANK



No	PART No	NAME	QTY
1	JL150T-30-04.02-00	Fuel tank	1
2	JL150T-30-09.21-00	Fuel sensor	1
3	JL150T-30-04.03-00	Fuel tank cap	1
4	JL150T-30-04.06-00	Self-priming switch	1
5	JL150T-30-04.02-10	Clamp, fuel sensor	1
6	JL150T-30-04.02-09	Seal ring, fuel sensor	1
7	JL150T-30-04.02-18	Fuel hose ϕ 7.6(0.9M)	1
8	JL150T-30-04.02-17	Fuel hose ϕ 8.5(0.32M)	1
9	JL150T-30-04.02-16	Steel Clip ϕ 7.6	3
10	JL150T-30-04.02-12	Wire Clip ϕ 6.5	1
11	GB/T5789 M6×16	Hexagon flange bolt	3

27. GAS FILLING VALVE



No	PART No	NAME	QTY
1	JL152QMI-0100011	Air valve	1
2	JL125T-9-07.03-00	Anti-high temperature tube	1
3	JL125T-9-04.02-12	Clamper ϕ 18	1
4	JL150T-3A-04.02-16	Clamper	1
5	JL125T-8B-07-04	Air tube ϕ 18	1
6	JL125T-8T-B-04.02-16	Air tube ϕ 8.5	1
7	JL150T-3A-04.02-16	Steel clamper ϕ 8.5	1
8	JL125T-9-07-03	Tube	1
9	JL125T-8B-07-05	Bend tube	1

