

---

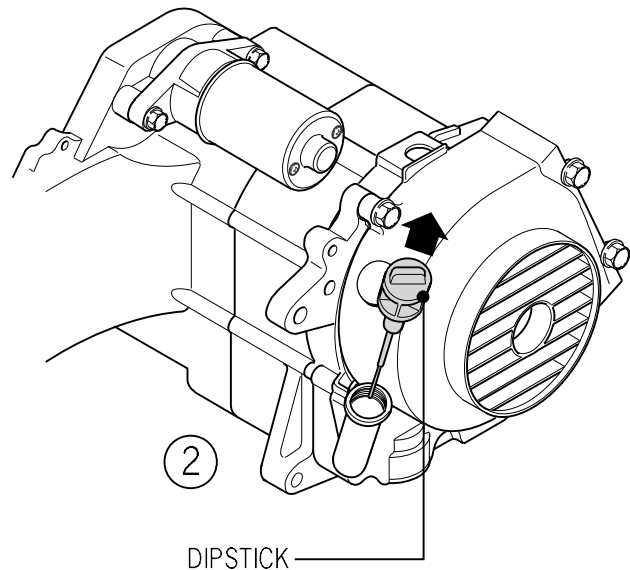
## 4. Lubricating System

---

### Engine Oil/Filter Screen

#### Oil Volume

1. Check oil with scooter parked on level ground on center stand.
  - Scooter must be on center stand when oil volume is checked.
  - Run engine for two or three minutes and then turn it off. After two to three minutes, check the oil level.
2. Check the oil level when the oil dipstick is unscrewed and out.
3. Add oil to upper limit level on the dipstick.



#### Oil Changed

- It is easier to drain oil when motor is warm.
1. Remove drain bolt to completely drain oil.
  2. Disassemble the oil filter screen cover and take off the oil filter screen. Use high-pressure air to clean the filter screen. Wash with solvent and dry before reinstalling.
  3. Check o-ring for damage. Replace if necessary.
  4. Assemble engine oil filter screen and filter screen cover.
    - Torsion value: 1.4kg-m  
1300 ft lbs
  5. Add assigned oil to determined volume.
    - Engine oil capacity: 0.8L
    - 320ES
  6. Check for oil leaks.
  7. Run engine for 1-2 minutes at idle speed.
  8. Turn engine off and check oil level. Add oil if needed.

